

1 13/16" (46 mm) Ten Turn Wirewound, Bushing Mount



FEATURES

- Gangable up to 2 sections
- Large range of ohmic values: 20 Ω to 200 kΩ
- Extra taps available upon request
- Ideally suits for all industry applications

ELECTRICAL SPECIFICATIONS		
PARAMETER		
Total Resistance Standard Range Tolerance: 200 Ω and Above Below 200 Ω	20 Ω to 200 kΩ STANDARD ± 3 % ± 5 %	Special up to 500 kΩ SPECIAL ± 1 % ± 3 %
Linearity (Independent)	± 0.25 % standard	
20 Ω to 50 Ω 50 Ω to 200 Ω 200 Ω to 5 kΩ 5 kΩ and Above	± 0.15 % ± 0.10 % ± 0.05 % ± 0.025 %	
Noise	100 Ω ENR	
Electrical Angle	3600° + 4° - 0°	
Power Rating	8.0 W at 40 °C derated to zero at 125 °C	
Insulation Resistance	1000 MΩ minimum 500 V _{DC}	
Dielectric Strength	1000 V _{RMS} , 60 Hz	
Absolute Minimum Resistance	Not to exceed linearity x total resistance or 1 Ω, whichever is greater	
End Voltage	0.5 % of total applied voltage maximum	
Phasing	CCW end points sect. 2 phased to sect 1 within 1°	
Taps (Extra)	Available as special standard tolerance ± 1°	

ORDERING INFORMATION/DESIGNATION				
Model 860 can be ordered from this data sheet with a variety of alternate characteristics, as shown. For most rapid service on your order, please state:				
860	B	1	20K	BO10
MODEL	BUSHING MOUNT	NUMBER OF SECTIONS	RESISTANCE OF EACH SECTION	PACKAGING
		From 1 up to 2 sections (maximum)	Beginning with the section nearest the mounting end	Box of 10 pieces

SAP PART NUMBERING GUIDELINES				
860	B	1	203	B10
MODEL	STYLE	NUMBER OF SECTIONS	OHMIC VALUE OF SECTION N° 1	PACKAGING

Model 860

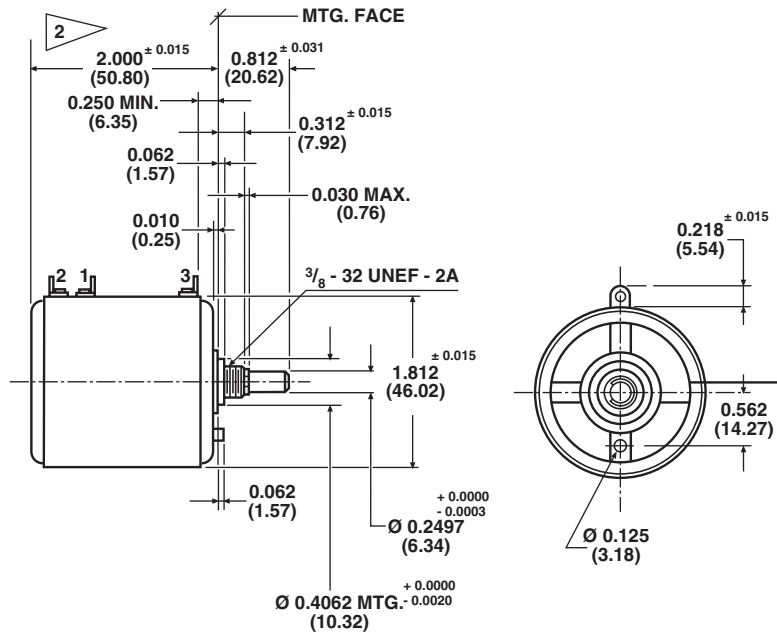


Vishay Spectrol

1 13/16" (46 mm) Ten Turn Wirewound,
Bushing Mount

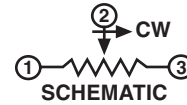
DIMENSIONS in inches (millimeters)

MODEL 860



1 ADD 1.787 ± 0.010 (45.39) FOR 2 GANG UNIT

TOLERANCES: OTHERWISE NOTED.
DECIMALS ± 0.005 ANGLES ± 2°



MECHANICAL SPECIFICATIONS		
PARAMETER		
Rotation	3600° + 4° - 0°	
Bearing Type	Sleeve bearing	
Torque (maximums): Section 1 Section 2	<p>STARTING</p> <p>1.75 oz. - in (126.02 g - cm) 2.55 oz. - in (183.62 g - cm)</p>	<p>RUNNING</p> <p>1.26 oz. - in (90.01 g - cm) 1.85 oz. - in (133.21 g - cm)</p>
Runouts (Maximums) Shaft (TIR) Pilot Dia (TIR) Lateral (TIR) Shaft End Play Shaft Radial Play	<p>0.002" (0.05 cm) 0.002" (0.05 cm) 0.005" (0.13 cm) 0.002" min. 0.010" max. (0.05 - 0.25 cm) 0.003" max. (0.08 cm)</p>	
Weight (maximums) Single Section Additional Section	<p>4.5 oz. (127.58 g) 4.0 oz. (113.40 g)</p>	
Stop Strength	750 oz. - in (static) (54.01 kg - cm)	
Ganging	2 sections maximum ears of clamp band between sections positioned 45°, ± 10° CCW from terminal center line	
Moment Inertia	15.0 g - cm ² maximum	



**1 13/16" (46 mm) Ten Turn Wirewound,
Bushing Mount**

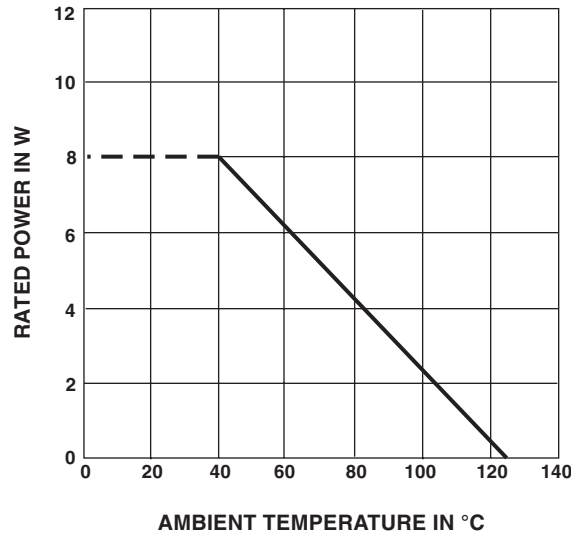
Vishay Spectrol

MATERIAL SPECIFICATIONS	
Bushing	Aluminum, nickel plated
Housing and Front Lid	Molded glass filled thermoset plastic
Rear Lid	Molded glass filled nylon
Shaft	Stainless steel, non magnetic, non-passivated
Terminals	Brass, plated for solderability
Mounting Hardware Lockwasher: Panel Nut:	Internal tooth steel, nickel plated Brass, nickel plated

ENVIRONMENTAL SPECIFICATIONS	
Vibration	10 g thru 500 CPS
Shock	50 g
Rotational Life	500 000 shaft revolutions
Load Life	900 h
Temperature Range	- 55 °C to + 125 °C
Salt Spray	48 h

MARKING	
Unit Identification	Units will be marked with Vishay Spectrol name and model no, resistance and resistance tolerance, linearity, terminal identification, and date code

POWER RATING CHART



RESISTANCE ELEMENT DATA					
STANDARD RESISTANCE VALUES (Ω)	RESOLUTION (%)	OHMS PER TURN	MAXIMUM CURRENT AT 70 °C AMBIENT (mA)	MAXIMUM VOLTAGE ACROSS COIL (V)	WIRE TEMPERATURE COEFFICIENT (ppm/°C)
20	0.044	0.009	632	13	800
50	0.027	0.014	400	20	800
100	0.024	0.024	283	28	800
200	0.028	0.056	200	40	180
500	0.023	0.115	126	63	20
1K	0.018	0.182	89	89	20
2K	0.020	0.402	63	126	20
5K	0.015	0.754	40	200	20
10K	0.013	1.23	28	283	20
20K	0.010	1.97	20	400	20
50K	0.007	3.69	13	632	20
100K	0.007	6.51	8.9	894	20
200K	0.005	9.63	5.0	1000	20
500K	0.004	20.0	2.0	1000	20



Disclaimer

All product specifications and data are subject to change without notice.

Vishay Intertechnology, Inc., its affiliates, agents, and employees, and all persons acting on its or their behalf (collectively, "Vishay"), disclaim any and all liability for any errors, inaccuracies or incompleteness contained herein or in any other disclosure relating to any product.

Vishay disclaims any and all liability arising out of the use or application of any product described herein or of any information provided herein to the maximum extent permitted by law. The product specifications do not expand or otherwise modify Vishay's terms and conditions of purchase, including but not limited to the warranty expressed therein, which apply to these products.

No license, express or implied, by estoppel or otherwise, to any intellectual property rights is granted by this document or by any conduct of Vishay.

The products shown herein are not designed for use in medical, life-saving, or life-sustaining applications unless otherwise expressly indicated. Customers using or selling Vishay products not expressly indicated for use in such applications do so entirely at their own risk and agree to fully indemnify Vishay for any damages arising or resulting from such use or sale. Please contact authorized Vishay personnel to obtain written terms and conditions regarding products designed for such applications.

Product names and markings noted herein may be trademarks of their respective owners.